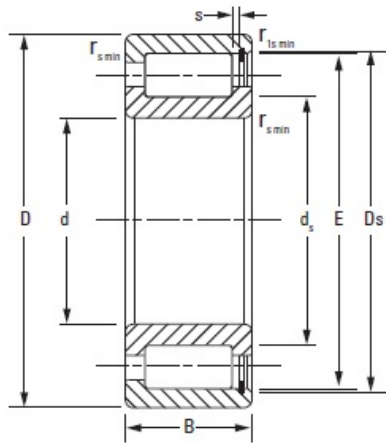




Hebei Xiantong Bearing Co., Ltd.



NCF18/750V Timken Cylindrical Roller Bearing

Bearing No. NCF18/750V

Bore d	750.000 mm
O.D. D	920.000 mm
Width B	78.000 mm
DUR/DOR F/E	878.000 mm
Static Load Rating C_0	4600 kN
Dynamic Load Rating C_1^1	2080 kN
Dimension S^2	8.00 mm
Geometry Factor C_g^3	0.3230
Thermal Speed Ratings - Oil	160 rpm
Thermal Speed Ratings - Grease	140 rpm
Weight	231.200 lb
Chamfer r_{smin}	5.00 mm
Chamfer r_{1smin}^4	5.0 mm
Backing Shaft Diameter d_s	788.0 mm
Backing Housing Diameter D_s	880.0 mm

NCF18/750V Bearing 2D drawings and 3D CAD models