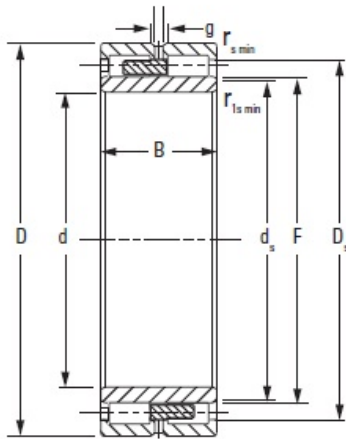




Hebei Xiantong Bearing Co., Ltd.



NNU4152MAW33 Timken Cylindrical Roller Bearing

Bearing No. NNU4152MAW33

| | |
|--------------------------------|------------|
| Bore d | 260 mm |
| O.D. D | 440.000 mm |
| Width B | 180.000 mm |
| DUR/DOR F/E | 306.000 mm |
| Static Load Rating C_0 | 4540 kN |
| Dynamic Load Rating C_1^1 | 2840 kN |
| Geometry Factor C_g^2 | 0.2100 |
| Thermal Speed Ratings - Oil | 760 rpm |
| Thermal Speed Ratings - Grease | 710 rpm |
| Weight | 247.000 lb |
| Chamfer r_{smin} | 4.00 mm |
| Chamfer r_{1smin}^3 | 4.0 mm |
| Backing Shaft Diameter d_s | 298.9 mm |
| Backing Housing Diameter D_s | 402.0 mm |
| Lubrication Groove g | 16.0 mm |
| Lubrication Hole Diameter h | 7.5 mm |
| Number of Lubrication Holes | 6 |
| Dimension S^4 | 6.30 mm |

NNU4152MAW33 Bearing 2D drawings and 3D CAD models