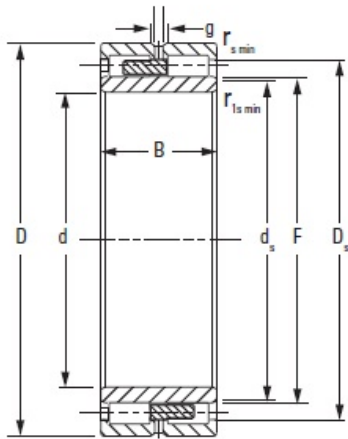




# Hebei Xiantong Bearing Co., Ltd.



## NNU4960MAW33 Timken Cylindrical Roller Bearing

Bearing No. NNU4960MAW33

Bore d	300 mm
O.D. D	420.000 mm
Width B	118.000 mm
DUR/DOR F/E	339.000 mm
Static Load Rating $C_0$	2380 kN
Dynamic Load Rating $C_1^1$	1170 kN
Geometry Factor $C_g^2$	0.2050
Thermal Speed Ratings - Oil	880 rpm
Thermal Speed Ratings - Grease	780 rpm
Weight	110.000 lb
Chamfer $r_{smin}$	3.00 mm
Chamfer $r_{1smin}^3$	3.0 mm
Backing Shaft Diameter $d_s$	330.4 mm
Backing Housing Diameter $D_s$	389.0 mm
Lubrication Groove g	19.3 mm
Lubrication Hole Diameter h	9.5 mm
Number of Lubrication Holes	8
Dimension $S^4$	5.30 mm

NNU4960MAW33 Bearing 2D drawings and 3D CAD models